

**APPLICATIONS AVAILABLE  
IN EXTERIOR WALL MOUNT,  
INTERIOR WALL MOUNT, OR  
FREE STANDING SYSTEMS.**

**FEATURES:**

- Aluminum construction
- Neoprene gaskets
- Safe touch-free drying
- Round leg mounts
- Adjustable producers
- Complete cover surrounds
- TEFC motors – one year warranty
- Attractive Premier® graphics
- Three producer system
- CNC bolt on hubs

**OPTIONS:**

- 7.5 H.P., 10 H.P. or 15 H.P. producers
- Soft start panel
- Side producers
- UL listed starter panel
- Silencer cones
- Custom application
- Oscillating nozzle
- Thermo-plating (any color)
- Private labeling

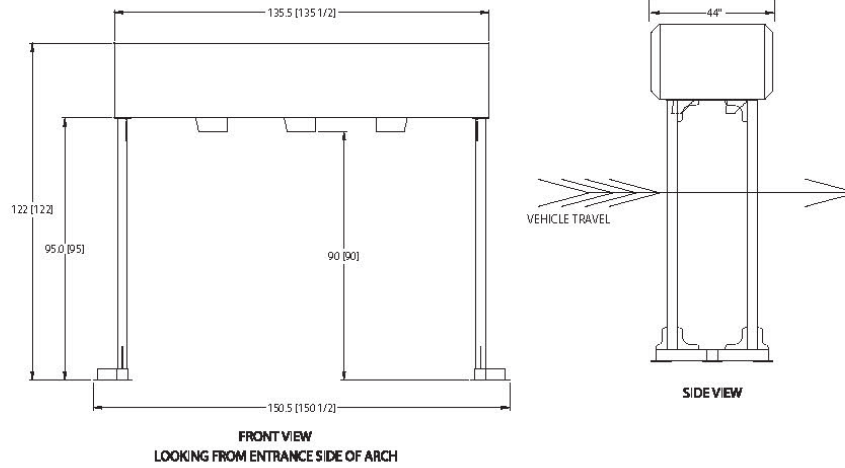


Made in the U.S.A.

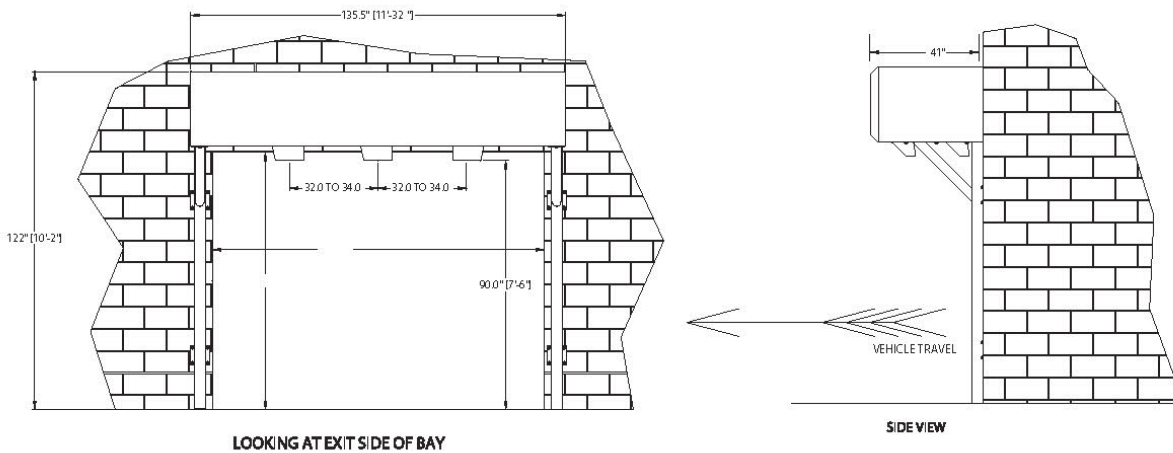
**premier®**  
*Touchless Drying System*

**EXECUTIVE SERIES**

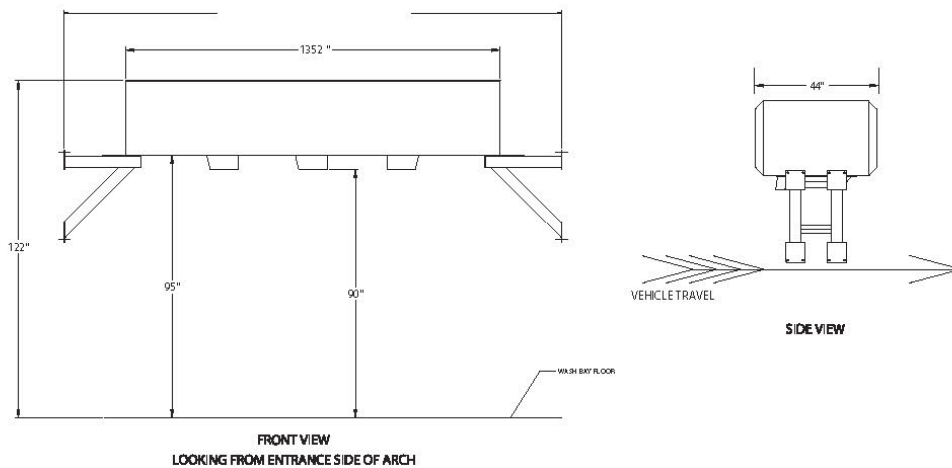
**EXECUTIVE SERIES – E30**



**EXECUTIVE SERIES – E30 – EXTERIOR WALL MOUNT**



**EXECUTIVE SERIES – E30 – INTERIOR WALL MOUNT**



**VOLTAGE:**

**7.5 H.P.**

- 208 VAC FLA – 20.4
- 230 VAC FLA – 18.4
- 460 VAC FLA – 9.2

**10 H.P.**

- 208 VAC FLA – 26.7
- 230 VAC FLA – 23.8
- 460 VAC FLA – 11.9

**15 H.P.**

- 208 VAC FLA – 40.0
- 230 VAC FLA – 35.0
- 460 VAC FLA – 17.0